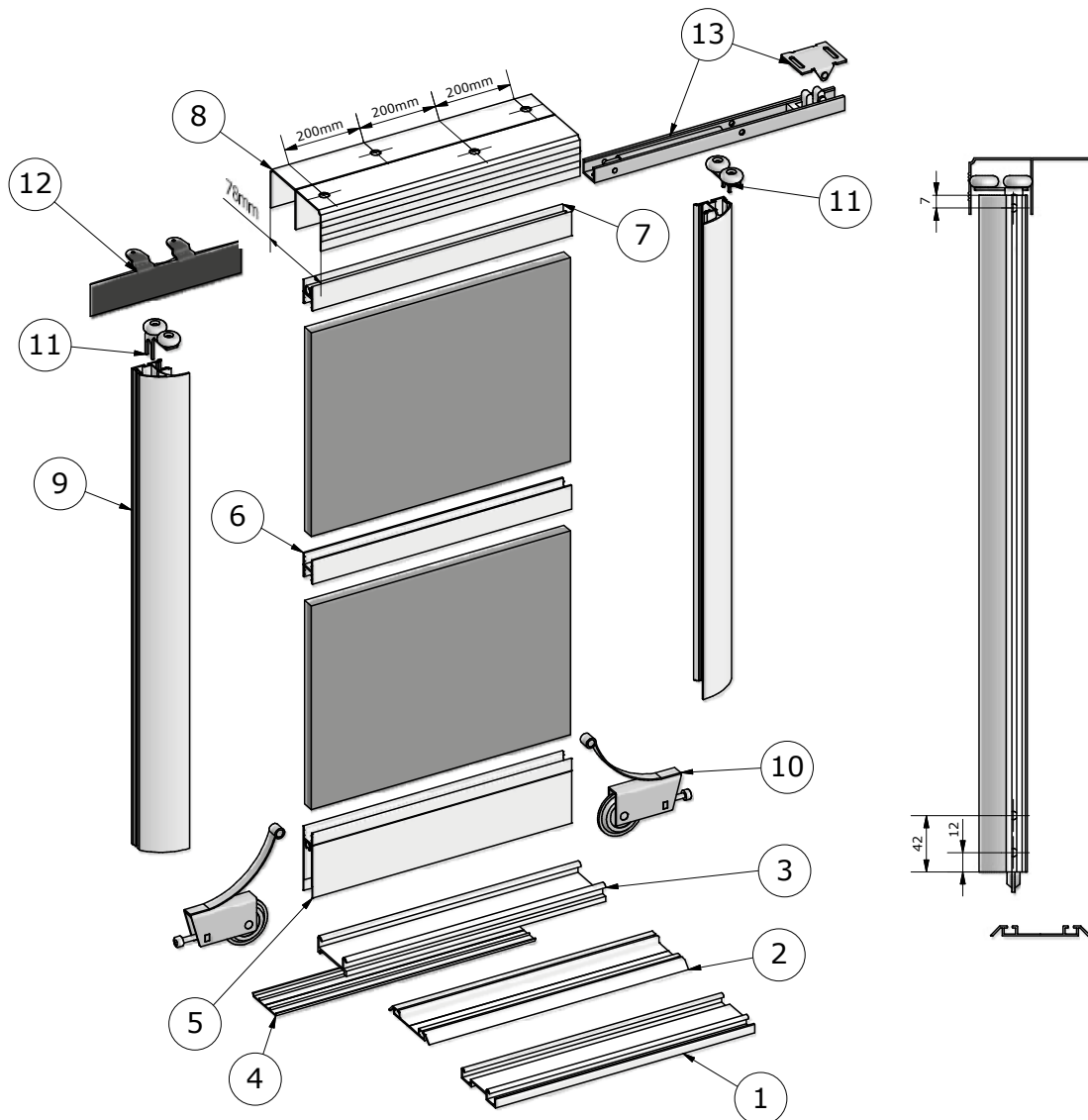


Instalation guide



Bimak UK Limited Registered Office: 84 St. Johns Road, Edinburgh, Midlothian, EH12 8AT
Company no. SC459619 Tel:01312772671 Email :info@bimak.co.uk Web:www.bimak.co.uk

Bimak UK Limited do not take responsibility for profile deformations caused by the use of poor quality panels. Maximum leaf weight is 50kg. Apply a silicone sealant to the adaptive track. After removing the protecting tape, wipe profile using Nitro solvent.



To calculate the height of panel:

$$TD \dots \dots \dots - 100\text{mm} = \dots \dots \dots$$

Opening height Panel height

$$TDB \dots \dots \dots - 95\text{mm} = \dots \dots \dots$$

Opening height Panel height

$$TDS \dots \dots \dots - 90\text{mm} = \dots \dots \dots$$

Opening height Panel height

The handle need to be cut 60mm longer than the height of the panel.

To calculate the width of the panel for two wings:

$$(\dots \dots \dots - 20\text{mm})/2 = \dots \dots \dots$$

Opening width Panel width

To calculate the width of the panel for three wings:

$$(\dots \dots \dots - 20\text{mm})/3 = \dots \dots \dots$$

Opening width Panel width

To calculate the width of the panel for four wings:

$$\dots \dots \dots /4 = \dots \dots \dots$$

Opening width Panel width

To calculate the length for horizontal profiles:

$$\dots \dots \dots - 15\text{mm} = \dots \dots \dots$$

Panel width Horizontal profiles length

To calculate the height of glass/mirror:

$$\dots \dots \dots - 2\text{mm} = \dots \dots \dots$$

Panel height Glass/mirror height

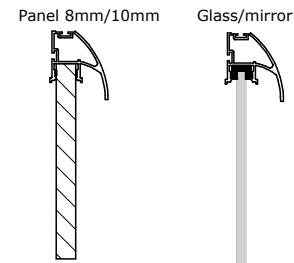
To calculate the width of glass/mirror:

$$\dots \dots \dots - 2\text{mm} = \dots \dots \dots$$

Panel width Glass/mirror width

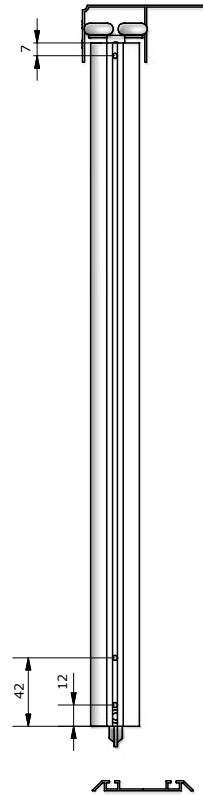
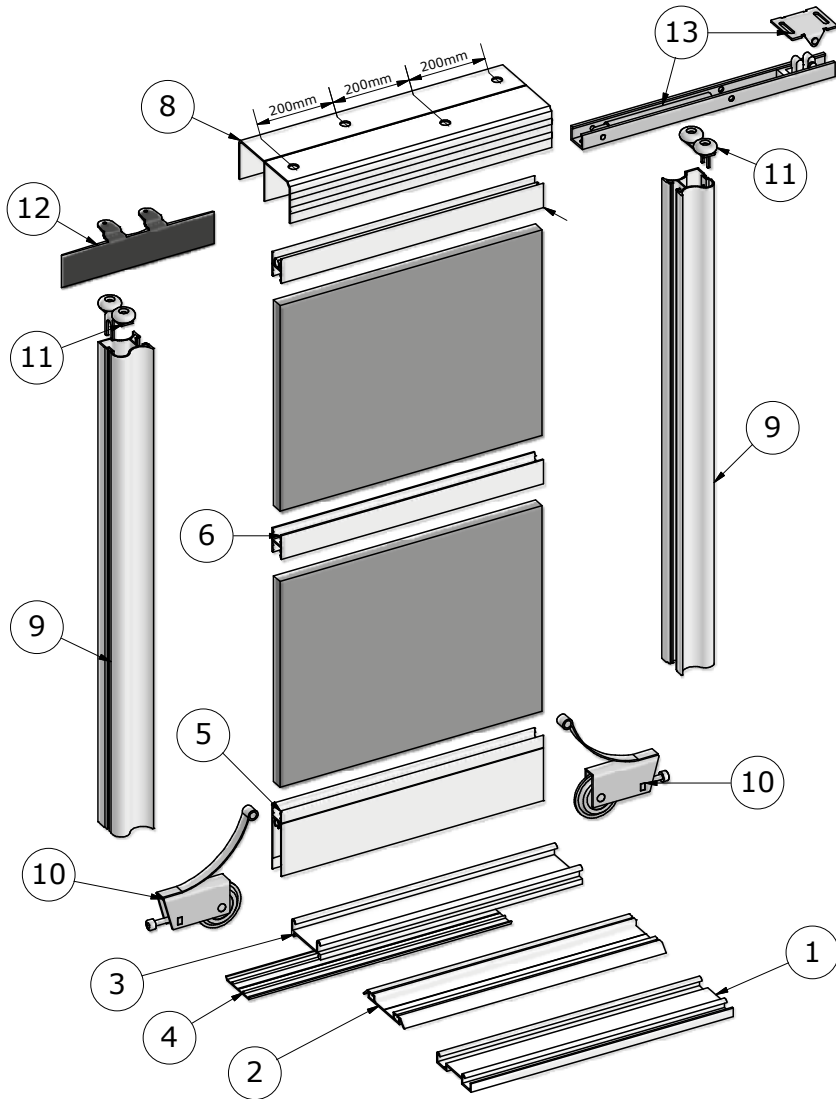
Soft close mechanism should be installed 120mm from the wing edge, while the trigger should be installed 300mm from the edge of the track.

Examples of merger of handle with various fillings.



1	2	3	4	5	6	7	8	9	10	11	12	13
TDB	TDS	TD	TA	RDS	HS	RGS	TG	RSJ	B10MMD	B10NSG	S800	SD800

Bimak UK Limited do not take responsibility for profile deformations caused by the use of poor quality panels. Maximum leaf weight is 50kg. Apply a silicone sealant to the adaptive track. After removing the protecting tape, wipe profile using Nitro solvent.



To calculate the height of panel:

TD..... - 100mm =
 Opening height Panel height

TDB..... - 95mm =
 Opening height Panel height

TDS..... - 90mm =
 Opening height Panel height

The handle need to be cut 60mm longer than the height of the panel.

To calculate the width of the panel for two wings:
 (..... - 50mm)/2=
 Opening width Panel width

To calculate the width of the panel for three wings:
 (..... - 60mm)/3=
 Opening width Panel width

To calculate the width of the panel for four wings:
 (..... - 70mm)/4=
 Opening width Panel width

To calculate the length for horizontal profiles:
 - 15mm=
 Panel width Horizontal profiles length

To calculate the height of glass/mirror:
 - 2mm=
 Panel height Glass/mirror height

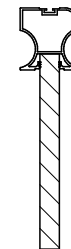
To calculate the width of glass/mirror:
 - 2mm=
 Panel width Glass/mirror width

Soft close mechanism should be installed 120mm from the wing edge, while the trigger should be installed 300mm from the edge of the track.

Examples of merger of handle with various fillings.

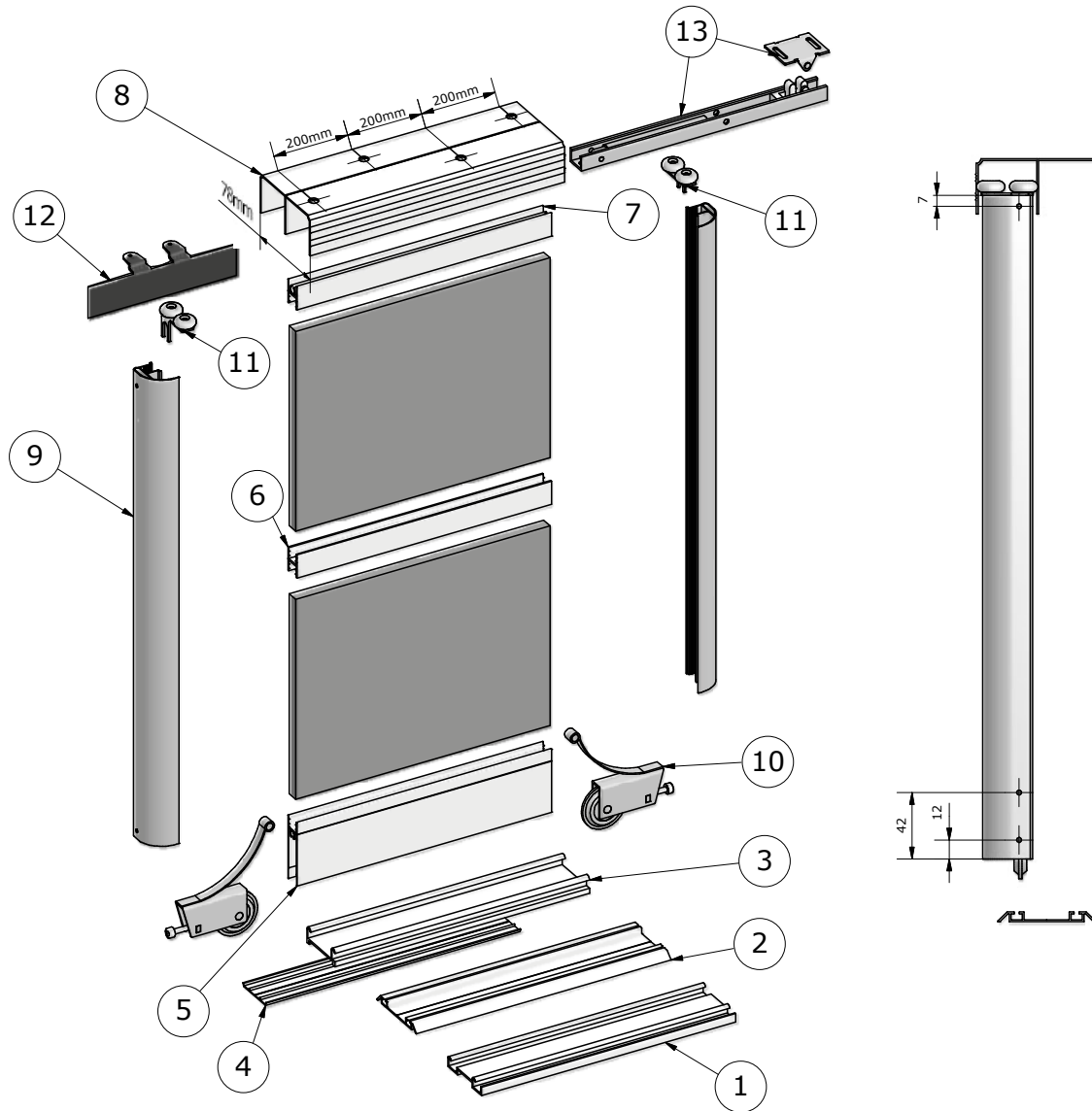
Panel 8mm/10mm

Glass/mirror



1	2	3	4	5	6	7	8	9	10	11	12	13
TDB	TDS	TD	TA	RDS	HS	RGS	TG	RSD	B10MMD	B10MMG	S800	SD800

Bimak UK Limited do not take responsibility for profile deformations caused by the use of poor quality panels.
 Maximum leaf weight is 50kg. Apply a silicone sealant to the adaptive track. After removing the protecting
 tape, wipe profile using Nitro solvent.



To calculate the height of panel:

TD..... - 100mm =
 Opening height Panel height

TDB..... - 95mm =
 Opening height Panel height

TDS..... - 90mm =
 Opening height Panel height

The handle need to be cut 60mm longer than the height of the panel.

To calculate the width of the panel for two wings:
 (..... - 30mm)/2=
 Opening width Panel width

To calculate the width of the panel for three wings:
 (..... - 60mm)/3=
 Opening width Panel width

To calculate the width of the panel for four wings:
 (..... - 90mm)/4=
 Opening width Panel width

To calculate the length for horizontal profiles:
 - 18mm =
 Panel width Horizontal profiles length

To calculate the height of glass/mirror:
 - 2mm =
 Panel height Glass/mirror height

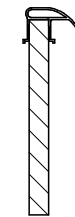
To calculate the width of glass/mirror:
 - 2mm =
 Panel width Glass/mirror width

Soft close mechanism should be installed 120mm from the wing edge,
 while the trigger should be installed 300mm from the edge of the track.

Examples of merger of handle with various fillings.

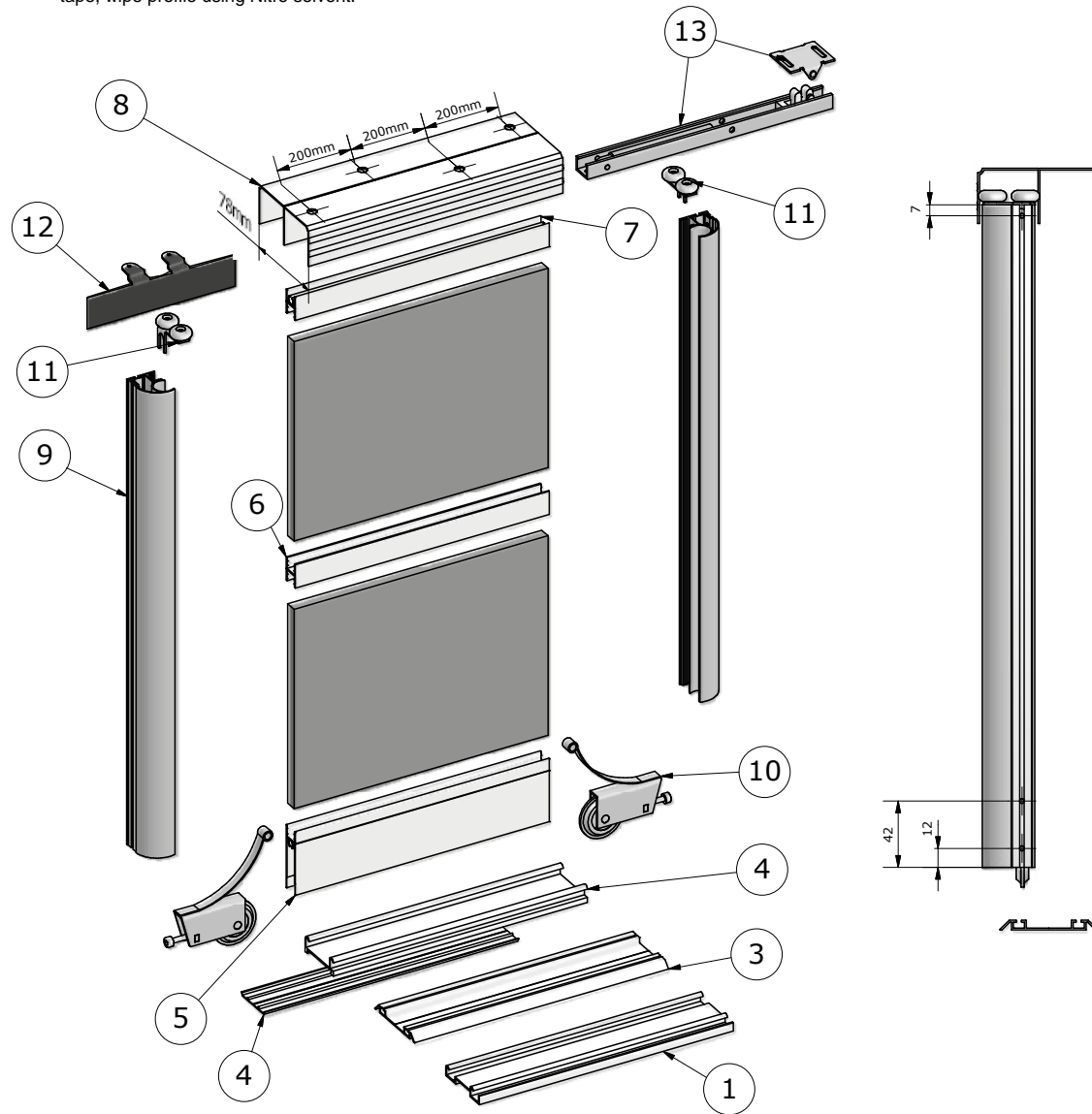
Panel 8mm/10mm

Glass/mirror



1	2	3	4	5	6	7	8	9	10	11	12	13
TDB	TDS	TD	TA	RDS	HS	RGS	TG	RSE	B10MMD	B10NSG	S800	SD800

Bimak UK Limited do not take responsibility for profile deformations caused by the use of poor quality panels. Maximum leaf weight is 50kg. Apply a silicone sealant to the adaptive track. After removing the protecting tape, wipe profile using Nitro solvent.



To calculate the height of panel:

TD..... - 100mm =
 Opening height Panel height

TDB..... - 95mm =
 Opening height Panel height

TDS..... - 90mm =
 Opening height Panel height

The handle need to be cut 60mm longer than the height of the panel.

To calculate the width of the panel for two wings:
 (..... - 20mm)/2 =
 Opening width Panel width

To calculate the width of the panel for three wings:
 (..... - 20mm)/3 =
 Opening width Panel width

To calculate the width of the panel for four wings:
 /4 =
 Opening width Panel width

To calculate the length for horizontal profiles:
 - 15mm =
 Panel width Horizontal profiles length

To calculate the height of glass/mirror:
 - 2mm =
 Panel height Glass/mirror height

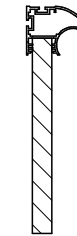
To calculate the width of glass/mirror:
 - 2mm =
 Panel width Glass/mirror width

Soft close mechanism should be installed 120mm from the wing edge, while the trigger should be installed 300mm from the edge of the track.

Examples of merger of handle with various fillings.

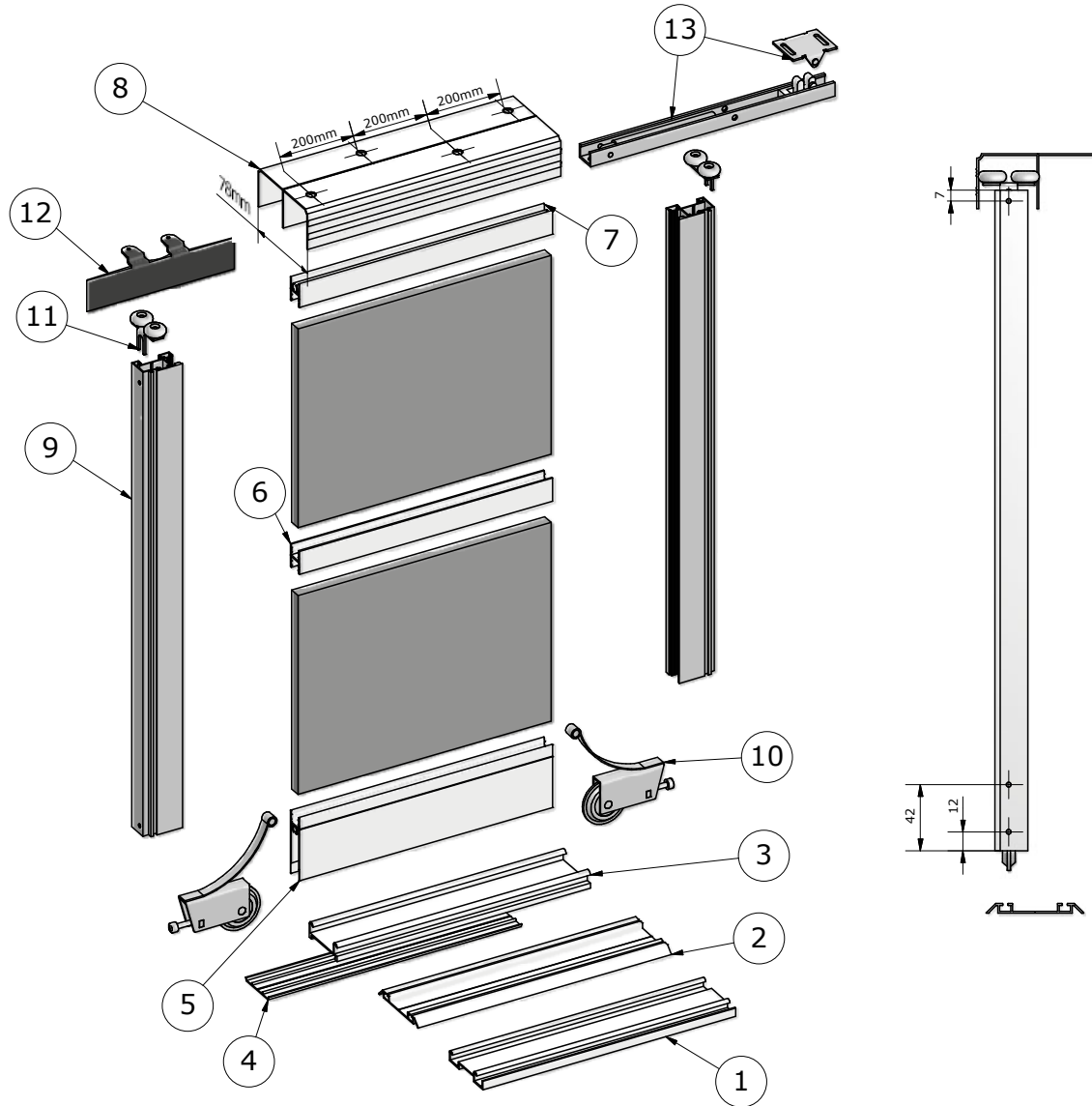
Panel 8mm/10mm

Glass/mirror



1	2	3	4	5	6	7	8	9	10	11	12	13
TDB	TDS	TD	TA	RDS	HS	RGS	TG	RSP	B10MMD	B10SG	S800	SD800

Bimak UK Limited do not take responsibility for profile deformations caused by the use of poor quality panels. Maximum leaf weight is 50kg. Apply a silicone sealant to the adaptive track. After removing the protecting tape, wipe profile using Nitro solvent.



To calculate the height of panel:

TD..... - 100mm =
 Opening height Panel height

TDB..... - 95mm =
 Opening height Panel height

TDS..... - 90mm =
 Opening height Panel height

The handle need to be cut 60mm longer than the height of the panel.

To calculate the width of the board for two wings:
 (..... - 50mm)/2 =
 Opening width Panel width

To calculate the width of the board for three wings:
 (..... - 60mm)/3 =
 Opening width Panel width

To calculate the width of the board for four wings:
 (..... - 70mm)/4 =
 Opening width Panel width

To calculate the length for horizontal profiles:
 - 15mm =
 Panel width Horizontal profiles length

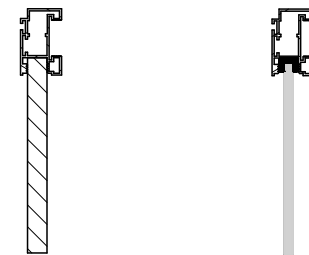
To calculate the height of glass/mirror:
 - 2mm =
 Panel height Glass/mirror height

To calculate the width of glass/mirror:
 - 2mm =
 Panel width Glass/mirror width

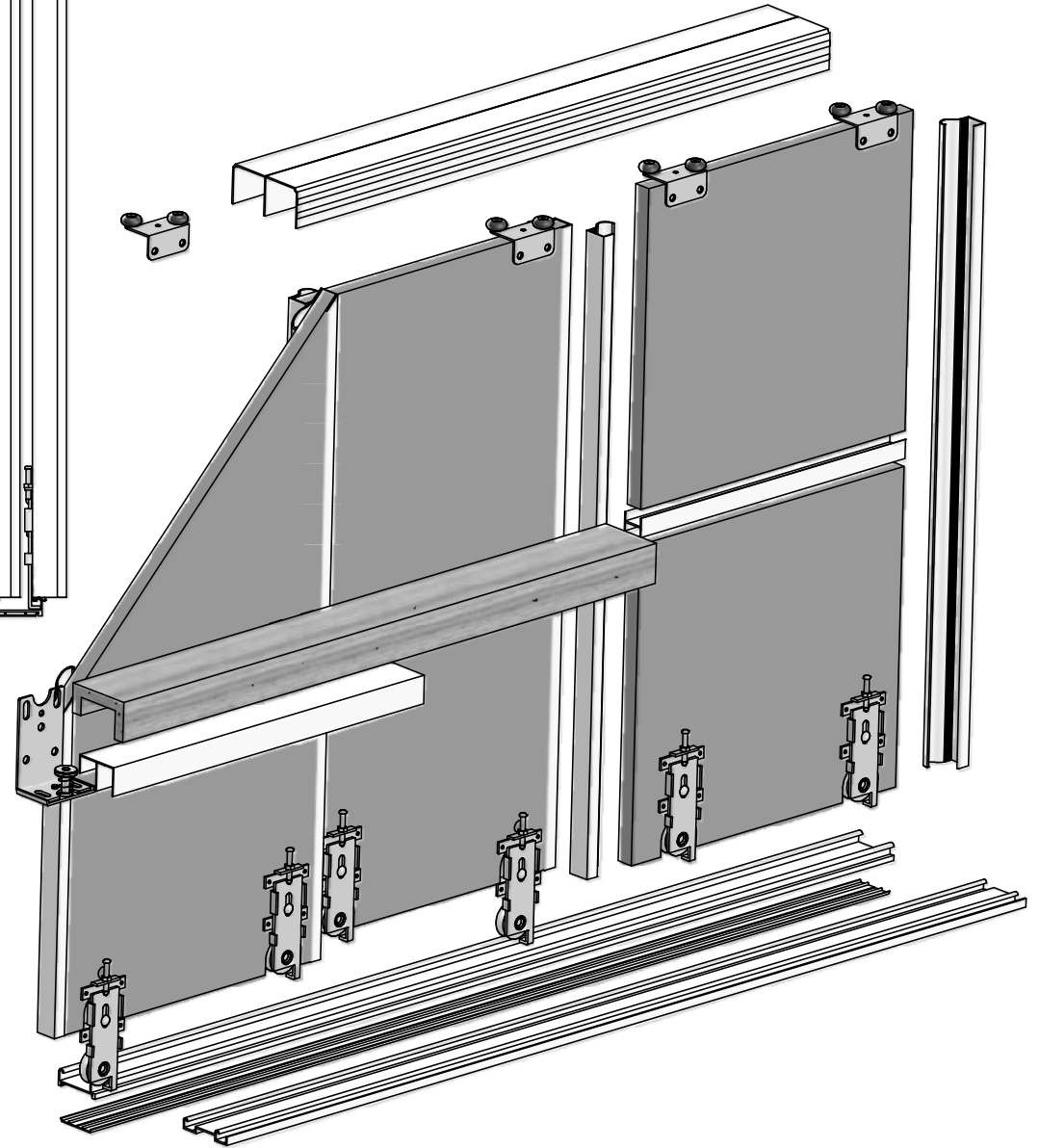
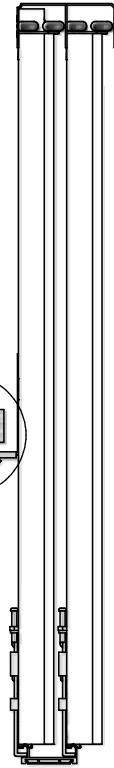
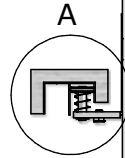
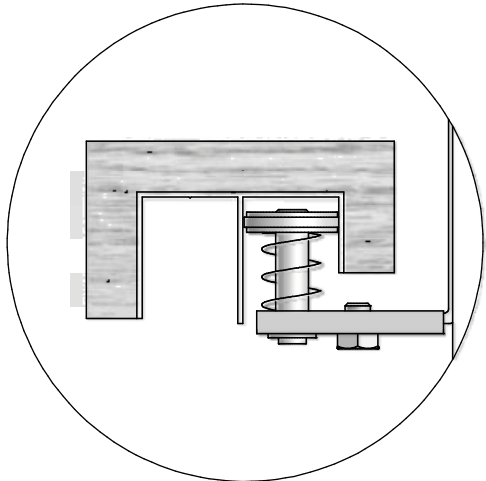
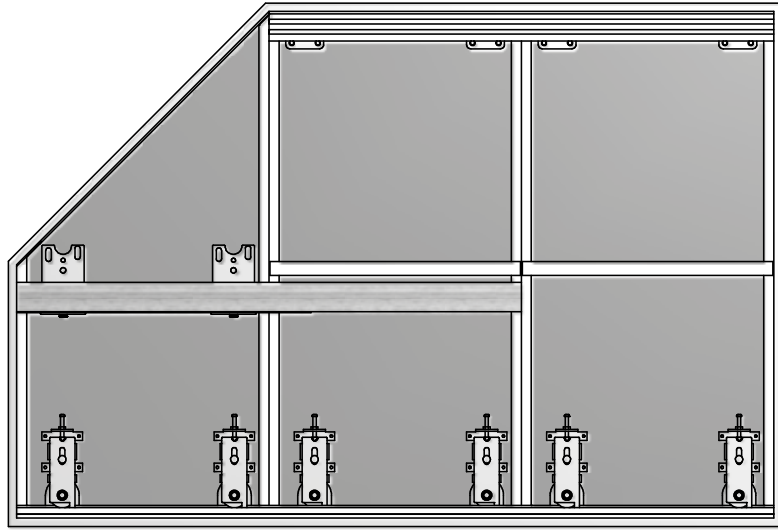
Soft close mechanism should be installed 120mm from the wing edge, while the trigger should be installed 300mm from the edge of the track.

Examples of merger of handle with various fillings.

Panel 10mm Glass/mirror



1	2	3	4	5	6	7	8	9	10	11	12	13
TDB	TDS	TD	TA	RDS	HS	RGS	TG	RD	B10MMD	B10MMG	S800	SD800



Bimak UK Limited do not take responsibility for profile deformations caused by the use of poor quality panels. Maximum leaf weight is 50kg.

Dimensions should be calculated in accordance with the instructions of the system which you want to install, e.g. when installing angled doors based on a system MEGA, all calculation can be found in the MEGA instalation guide.

Ruled lines for taking notes.