

MINI SLIDING SYSTEM BY BIMAK

1

To calculate the height of panel:

$$\text{Opening height} - 12\text{mm} = \text{Panel height}$$

To calculate the width of the panel for two wings:

$$(\text{Opening width} + 30\text{mm}) / 2 = \text{Panel width}$$

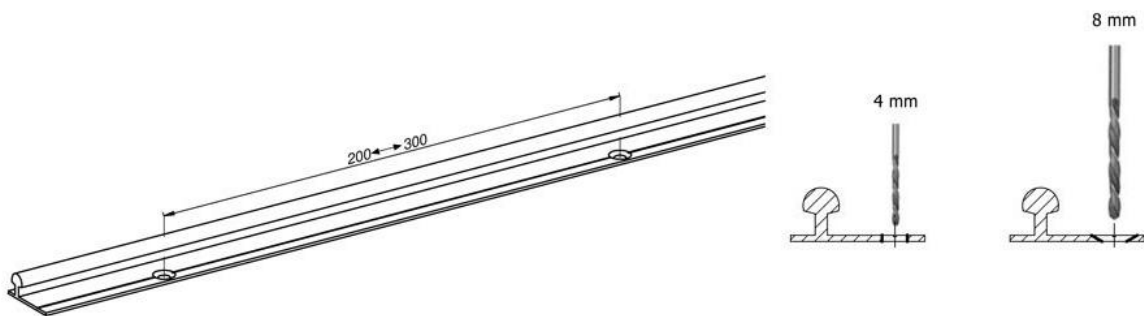
To calculate the width of the panel for three wings:

$$(\text{Opening width} + 60\text{mm}) / 3 = \text{Panel width}$$

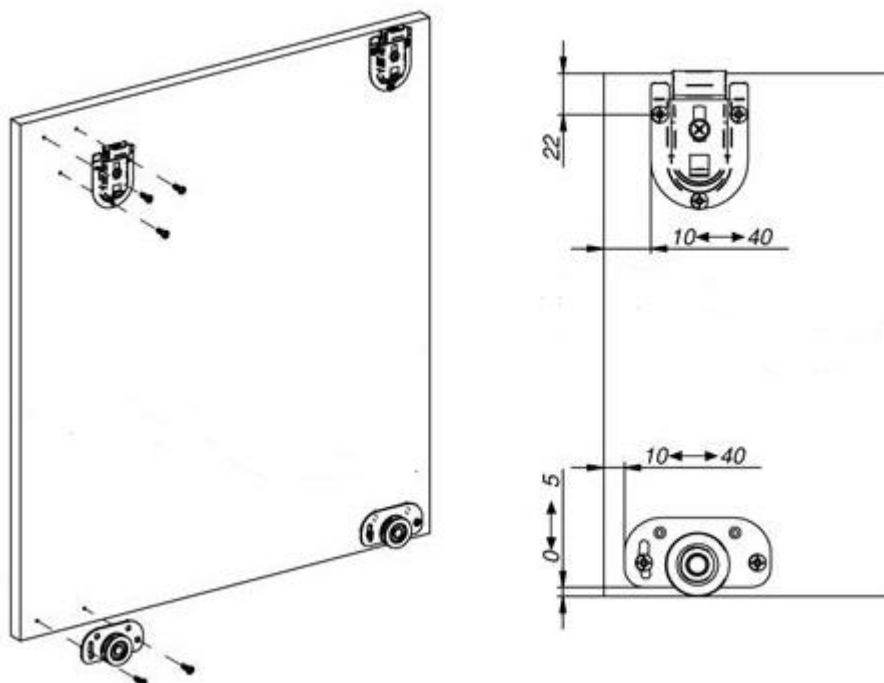
To calculate the width of the panel for four wings:

$$(\text{Opening width} + 90\text{mm}) / 4 = \text{Panel width}$$

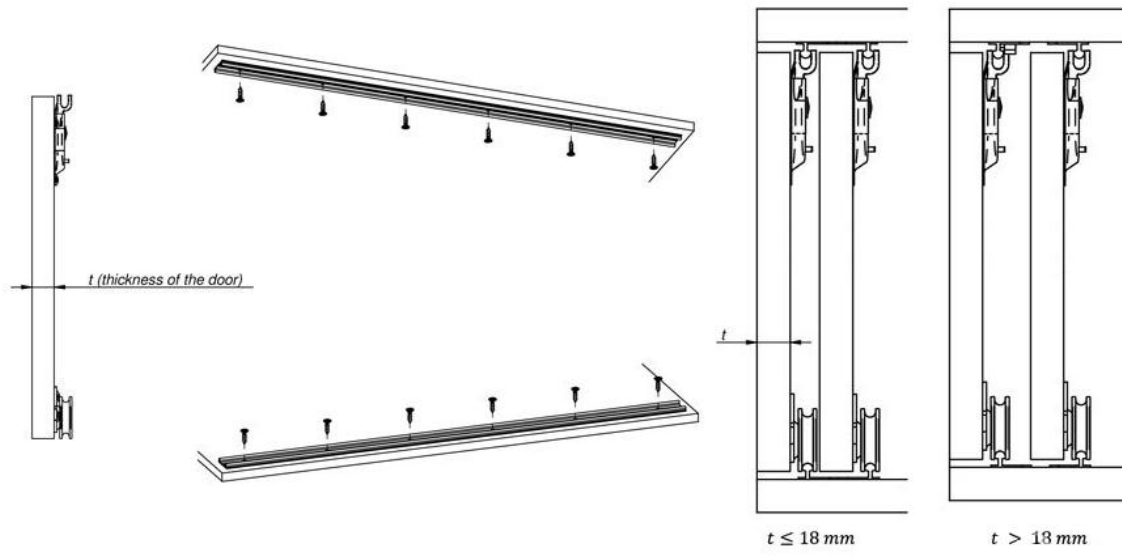
2



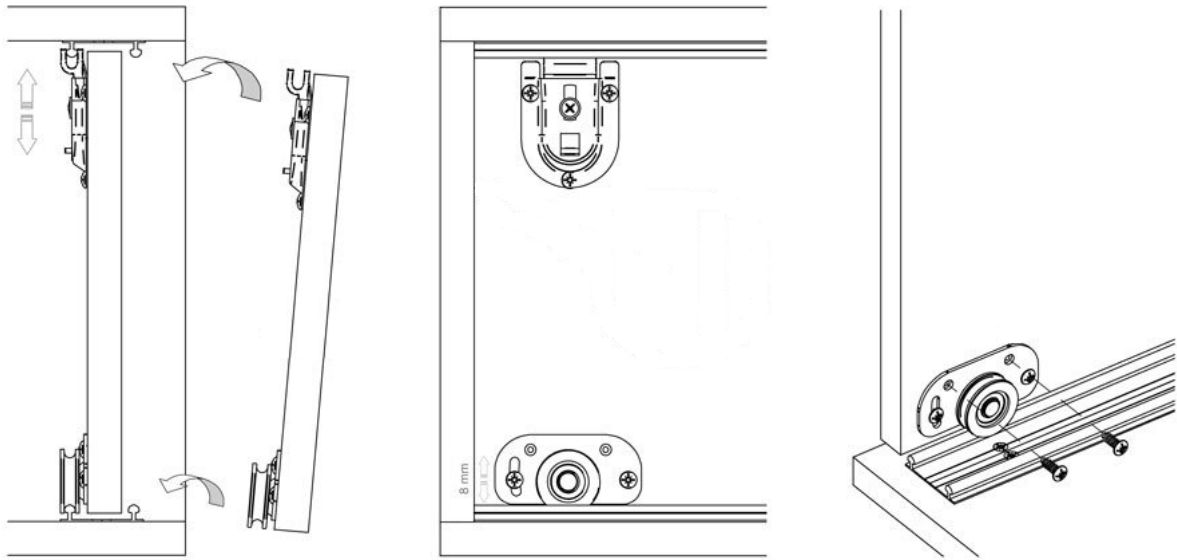
3



4



5



6

